

FES10M/ FES10 ELECTRIC STRIKE

- FES10 unmonitored Electric Strike weather resistant IP56
- FES10M monitored Electric strike not weather resistant

DOOR LATCH POSITION

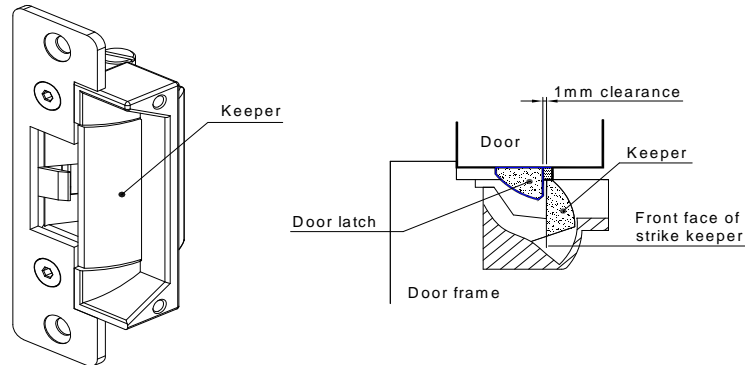


Figure1

As drawn above, there should be 1mm gap between the door latch and the front face of strike keeper to prevent the door from exerting pressure on the keeper when the door is closed.

MOUNTING STEPS OF STRIKE

- 1). For aluminum or metal door frame brackets are supplied for assembly, refer to Figure 2. For timber door frame refer to Fig. 3. mark and drill the hole sizes as indicated on Figure 2 and Figure 3.
- 2). Make sure electrical connections are followed correctly.
- 3). When the door is closed, ensure that there is no pressure on the front face of strike keeper.
- 4). When all the above checks are completed, secure the strike with supplied screws and recheck operation.

POWER INPUT 12 VDC or 24 VDC WIRINGS:



FES10M is equipped with Door status monitoring sensor.

DSS (Door Status Sensor) BLACK (COM) BLUE (NO) ORANGE (NC)

DSS contact rating: max. current 100 mA, max. voltage 30 VDC

Note: There is no polarity on power input.

INSTALL ON METAL OR ALUMINUM DOOR FRAME

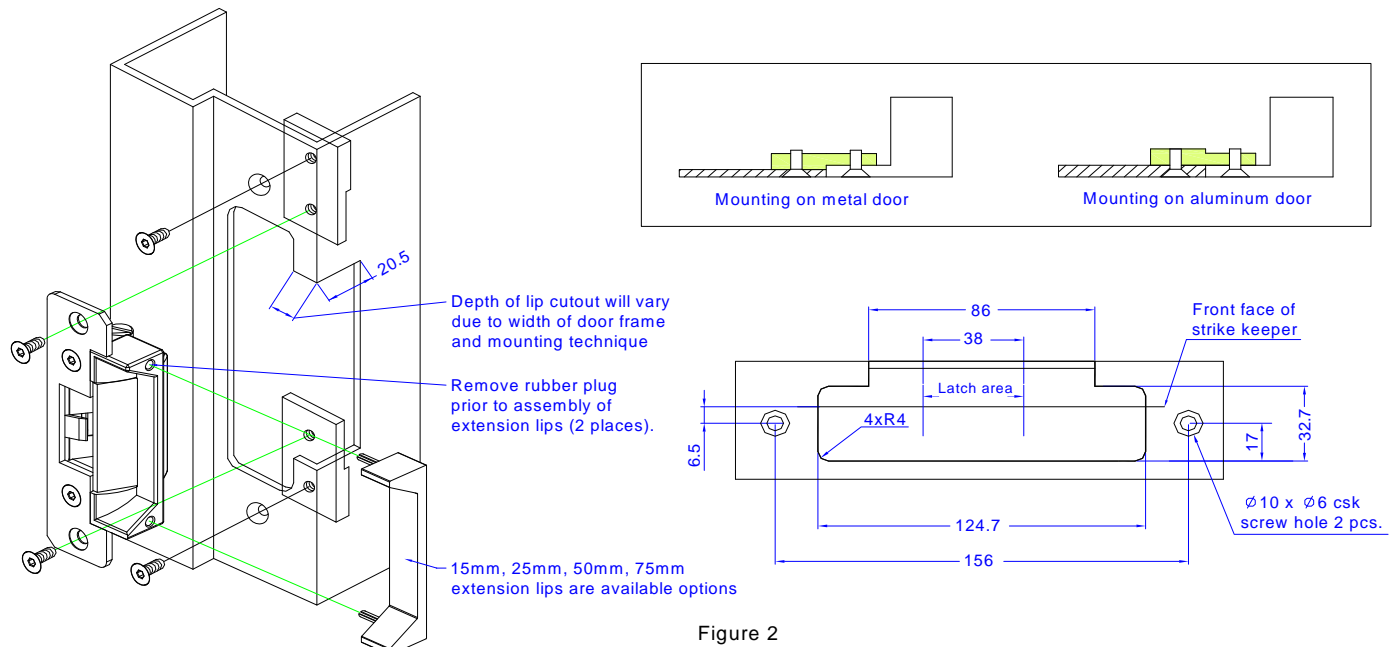


Figure 2

INSTALL ON WOODEN DOOR FRAME

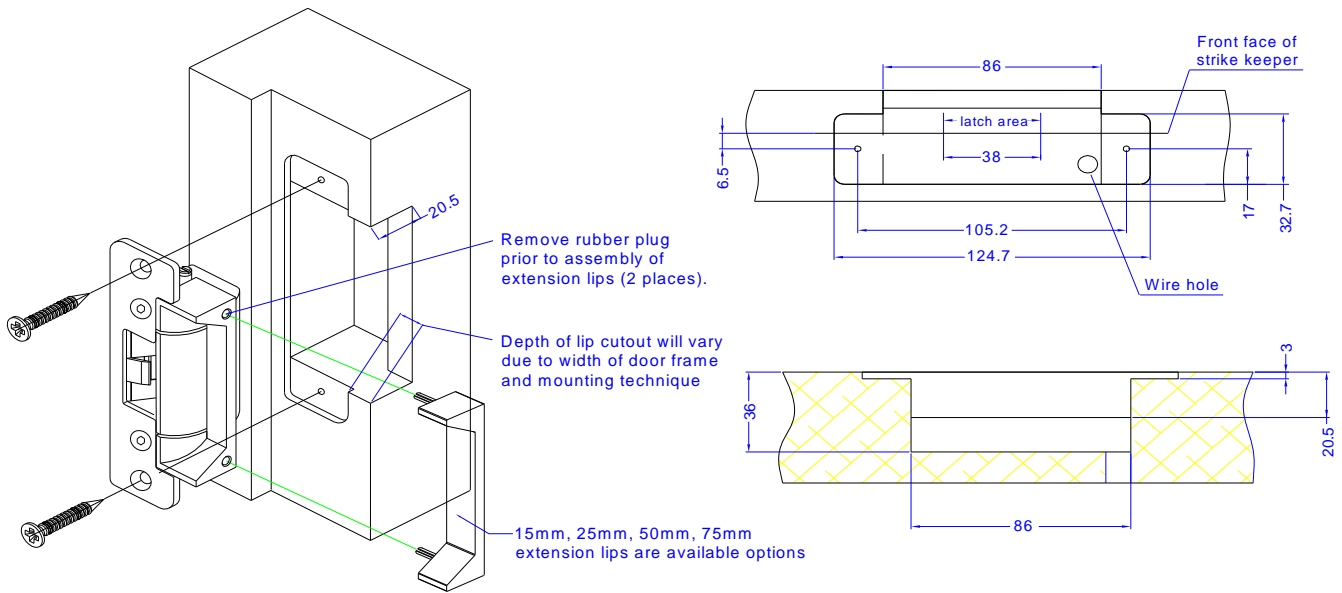


Figure 3

POWER TO LOCK (PTL) \Leftrightarrow POWER TO OPEN (PTO) CONVERSION

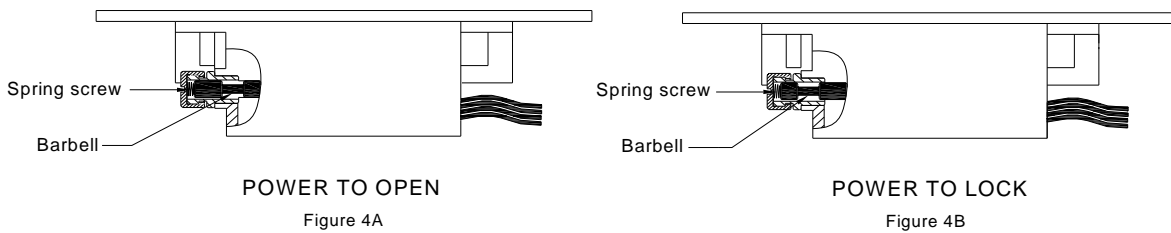


Figure 4A

Figure 4B

WARNING: Do not attempt to swivel the keeper while changing the function, this will damage the barbell mechanism.

Procedures to convert Fail Secure (Figure 4A) to Fail Safe (Figure 4B):

- Step 1: Remove the spring screw from the end part of the strike body.
- Step 2: Remove the Barbell to reverse in position with long part inside and short part out.
- Step 3: Replace the spring screw.

Procedures to convert Fail Safe (Figure 4B) to Fail Secure (Figure 4A):

- Step 1: Remove the spring screw from the end part of the strike body.
- Step 2: Remove the Barbell to reverse in position with short part inside and long part out.
- Step 3: Replace the spring screw.